

# C004 - C007



MANUAL OF USE AND MAINTENANCE

MANUEL D'UTILISATION ET D'ENTRETIEN

MANUAL DE USO Y MANUTENCION

MANUALE D'USO E MANUTENZIONE





**IMPORTANT**

We recommend to carefully and fully read the present manual before using your TAYLOR machine.

In your own interest, pay particular attention to the following warnings:



The non-observance of this warning can jeopardize the user's health and the correct operation of the machine.



A careful observance of these warnings can lead to a top performance of the machine.

The machine is covered by guarantee according to the conditions reported in the Seller's

In the following field, please write your machine serial number in capital letters

In the following field, please write your machine serial number in capital letters

Serial number

Distributor's stamp

Congratulations on purchasing a machine TAYLOR.

The present manual, enclosed to the machine, is integrant and essential part of the machine and shall be delivered to the final user. Before performing any kind of operation, it is recommended to carefully study the reported instructions, as only a careful reading allows you getting the highest performance from your machine. The following pages report all information necessary to correctly install, commission, adjust and service your machine. TAYLOR reserves the right to carry out all changes necessary to improve its product or manual without prior notice and to insert them in the subsequent issues.



Never touch the machine with hands and tools during production or maintenance and cleaning operations, without making sure that the machine is in STOP position, the master switch is off and/or the multipolar plug disconnected.

TAYLOR declines any liability for accidents deriving from an improper use of the machine due to the non-compliance with the above-mentioned recommendations.

## INDEX

### 1. INSTALLATION

1.1 Preliminary inspection .....	4
1.2 Field of use .....	4
1.1 Limits of use .....	4
1.2 Machine outfit .....	4
1.3 Marking .....	4
1.4 Start-up .....	5

### 2. OPERATION ..... 6

2.1 Control panel, controls and components .....	6
2.2 Whipped cream delivery .....	6
2.3 Timed delivery .....	7
2.4. Regulation conservation temperature .....	7
2.5 Alarm display .....	8
2.6 Cream whipper regulation .....	8

### 3. MAINTENANCE AND CLEANING ..... 10

3.1 Washing and lubrication .....	10
-----------------------------------	----

### 4. TROUBLE-SHOOTING ..... 12

### 5. APPENDICES ..... I

5.1 Machine specification .....	I
5.2 Refrigerant circuit diagram .....	II

# 1 INSTALLATION

## 1.1 Preliminary inspection

The machine travels at the customer's risk. In case packing is damaged, immediately inform the carrier.

Immediately inform the carrier also in case of damage to the machine, even if you open the packing a few days after the delivery.

It is always advisable to accept the good SUBJECT TO INSPECTION.

The equipment shall be assembled with great care: falls and shocks can damage it without showing external damages.

## 1.2 Field of use

Equipment suitable for the production and cooling of whipped cream for appropriate legal purposes.

## 1.3 Limits of use

Other uses are not allowed unless previous authorization from the manufacturer.

The equipment is not suitable for dangerous or flammable liquids.

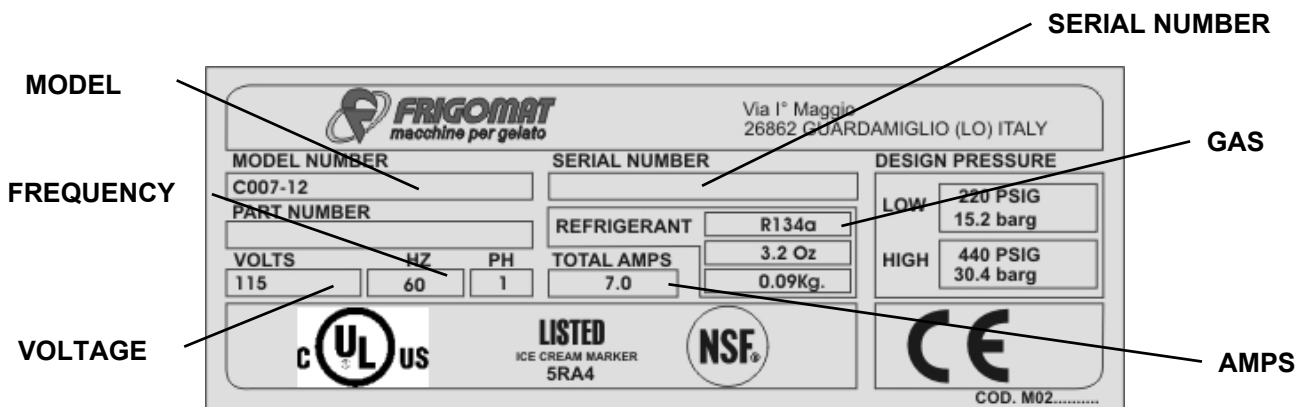
Max. room temperature: cl. No=32° (according to the data reported on the nameplate).

According to the EN standards in force, the equipment is not suitable for mobile applications.

## 1.4 Machine outfit

- N°1 cleaning rod
- N°1 gasket dismantling tool

## 1.5 Marking



<b>MODEL</b>		<b>SERIAL NUMBER</b>		<b>GAS</b>	
C007-12				R134a	
PART NUMBER		REFRIGERANT		LOW 220 PSIG 15.2 barg	
VOLTS 115		TOTAL AMPS 7.0		HIGH 440 PSIG 30.4 barg	
HZ 60		PH 1			
UL US		LISTED ICE CREAM MARKER 5RA4		NSF	
VOLTAGE				CE	
				AMPS	

Additional markings on the nameplate include: FRIGOMAT macchine per gelato, Via I° Maggio 26862 GUARDAMIGLIO (LO) ITALY, and COD. M02.....



fig. 1



fig. 2



fig. 3



fig. 4

## 1.6 Start-up

In the tank a packet is present with the following components for assembly:

sleeve, labyrinth, cock, drip collector.

- Insert the sleeve into the apposite guide, until it reaches the pump inlet (pict1). Insert the labyrinth into the sleeve (pict 2), insert the spacer (only C007)
- Mount the tap and turn it clockwise 45° (pict 3)
- Insert the drip collector into its seat (pict 4) Before starting up the machine, it is necessary to thoroughly clean all components and sterilize the parts in contact with the product.



- The installation of the equipment shall be carried out by authorized technical personnel only, that shall also take care of maintenance according to the standards in force
- Make sure that the supply voltage and mains power comply with the values reported on the rating plate
- Connect the machine to a power supply source with efficient earthing contact, interpose an automatic safety switch or provided with adequately rated fuses. The feeder shall be well stretched, avoiding rolling and overlapping. It must not be exposed to possible shocks or tampering attempts; it must not be positioned near liquids or water or source of heat; it must not be damaged, if so, make it be replaced by qualified personnel before connecting the machine to the mains
- Do not expose the machine to the sunlight or other sources of heat
- Lay the equipment on a flat surface and leave at least 10 cm between the machine side panels and the walls or other obstacles
- The side housing the air condenser shall be easily accessible for cleaning.

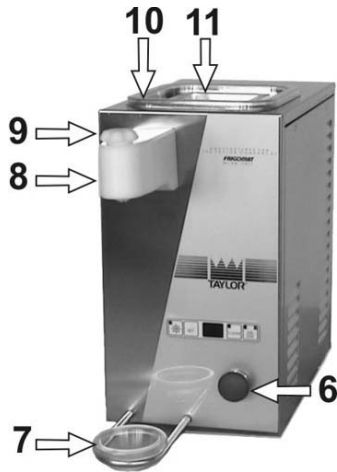


fig. 5



fig. 6



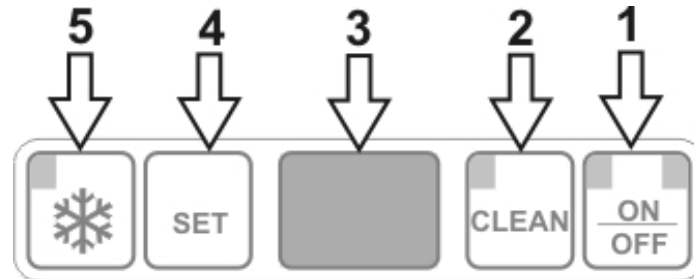
fig. 7



fig. 8

## 2. OPERATION

### 2.1 Control panel, controls



1. ON/OFF button with leds indicating: “connected equipment under voltage” (right led), “machine enabled” (left led);
2. CLEAN: Led “machine under cleaning”;
3. DISPLAY showing: temperature monitoring in the tank – alarms display – delivery time in seconds;
4. SET: Pushbutton to switch on timed delivery; thermostat regulation
5. Led indicating machine under cooling;
6. Delivery pushbutton;
7. Washing drain plug;
8. Tap;
9. Dispensing piston
10. Tank cover. (fig.5)
11. Tank thermometer

### 2.2 Whipped cream delivery

1. Wash and sanitize the machine according to the instructions reported in the paragraph “Washing and lubrication”
2. Turn the master switch “ON”, the left led lights up, The compressor cools down the tank until the conservation temperature is reached.
3. For C004 model, pour only cold cream in perfect state of preservation into the tank. Introduce no more than 2,5 liters of liquid cream, which in any case shall never reach the base of the pump (pict 6) For C007 model, pour only cold cream in perfect state of preservation into the tank. Introduce no more than 6 or 9 liters of liquid cream into removable tank.
4. Rotate the “cream regulator” on the desired position (see paragraph 2.5) (pict 7)
5. To dispense whipped cream, press the pushbutton to deliver the desired quantity (pict 8)

- Avoid pouring the liquid cream on the pump, during tank filling
- Make sure that sugar is well dissolved in cream to avoid that lumps obstruct the suction silicone hose
- In any case, the addition of quantities of sugar superior to 8%-10% of the liquid cream is not recommended because it can limit the increase in volume.



- Never add solids, such as pieces of hazelnut, chocolate and so on, which could obstruct the pump and damage the equipment
- Avoid to use the pump dry
- Avoid to use the pump with water only
- During operation, always keep the tank cover closed, to avoid the penetration of dust and impurities into the product
- Before starting dispensing whipped cream, check that the temperature displayed by the thermometer on the control panel ranges between +1°C(33,8°F) and +5°C(41°F). Warmer temperatures do not allow cream whipping and hygienic preservation .
- 

### **2.3 Timed delivery**

This function is useful in case it is necessary to perform frequent cream deliveries at constant times. The machine is supplied with delivery time set to zero. To insert a value, proceed as follows:

1. Press pushbutton "SET", the value "0.0" appears on the display, at the same time press pushbutton "ON-OFF" to set the new time value. By pulse pressing it, the value on the display increases 0,2 seconds each time, up to a maximum of 6 seconds, then it return to zero and the cycle starts again. Keep the pushbutton "ON-OFF" pressed and the value on the display quickly passes by.
2. Release the pushbutton and the delivery time value is confirmed. The display shows the cream temperature.
3. Press the delivery pushbutton and the pump starts up until the time, previously set up, is expired.
4. To reset the time value, or to change it, follow the above-mentioned instructions.

### **2.4 Regulation conservation temperature**

This function is useful in case it is necessary to regulate the temperature of the thermostat into the product tank. To insert a new temperature value, proceed as follows:

1. Verify that the machine is connected to the electrical net (right led on button ON/OFF is lighted up) and the machine is OFF (left led on button ON/OFF is off).



2. Press contemporaneously buttons “ON/OFF” and “SET”, on display will appear the temperature of the thermostat.
3. Keep “SET” pressed and press button “ON/OFF” to insert new temperature value.
4. Once reached the new value, release button “SET” and “ON/OFF” to store the data.
5. Start the machine pressing “ON/OFF” (left red is on).

## 2.5 Alarm display

If the display shows the following symbols, the meaning is “*short-circuited probe*”.



If the display shows the following symbols, the meaning is “*disconnected probe*”.



In both cases it is necessary to ask for the intervention of a technician.

## 2.6 Cream whipper regulation

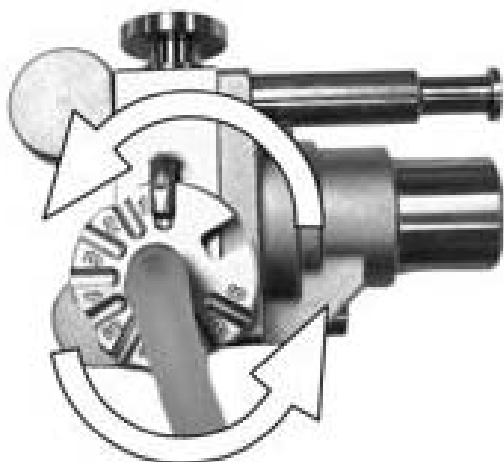


fig. 9

C004 - C007 are suitable to whip fresh cream, vegetable and “rebuilt” cream with percentage of fats ranging between 26 and 40%.

To get a well-whipped cream, it is necessary to act on the “cream regulator” located on the pump body side and to establish the most suitable positions among the 9 present for the kind of cream used and the kind of product to deliver.

Rotate the regulator to low values (1,2,...) to get a less whipped product; rotate it towards higher values (...8,9) to get a cream richer in air (pict 9).



Only by means of the “cream regulator”, it is possible to have the correct air-liquid mix and therefore an excellent whipped cream.



For a correct regulation, it is always advisable to start from position no. 1 and progressively rotate the regulator towards the other positions until the desired product can be obtained.

Different creams require different position for whipping.

Some vegetable creams and in general creams with high percentages of fats cannot be whipped when the “cream regulator” is set on high positions.

Always make sure that the position indicator is always connected with a notch and never between two notches (pict 10).

**fig. 10**

### 3. MAINTENANCE



During maintenance operations, never touch the machine with hands or tools without making sure that the machine is in STOP position, the master switch is off and/or the multipolar plug disconnected.

In case of troubles, make sure that they are not caused by a lack of servicing. On the contrary, ask for the intervention of a technician. In case it is necessary to replace a piece, always ask a distributor or an authorized retailer for ORIGINAL spare parts.



fig. 11



fig. 12

#### 3.1 Washing and lubrication.

Bacteria and moulds easily proliferate due to the presence of fats in cream, that is why it is necessary to carefully wash and clean all parts in contact with the product. Rustless materials and/or made of plastic for food industry used for our machines, in conformity with the most severe international standards, make washing operations easier, however they cannot prevent mould proliferation, etc. caused by insufficient cleaning.

TAYLOR recommends to clean the tank and the pump at least twice a week and in any case in compliance with the sanitary standards in force in the country of installation.

In the evening, after sales, in case a complete washing cycle is not foreseen, it is advisable to dismantle the star nozzle, the cock, the sleeve and the labyrinth, wash and sanitize them.

Periodically remove O-rings by means of the apposite extractor and carefully wash them.

To perform a correct cleaning of cream whipping machine C004-C007, proceed as follows:

1. Turn the machine off and remove cream residues (pict 12) .
2. Pour cleaning solution into the tank. Let the solution act for some minutes (pict.11).
3. At this point it is possible, but not necessary to carry out a pre-soak cycle. To this purpose, press the delivery pushbutton for max. 3-4 seconds. During this period, the display visualizes (--) and the led "CLEAN" lights up until the delivery pushbutton is released. Attention: to prevent pump

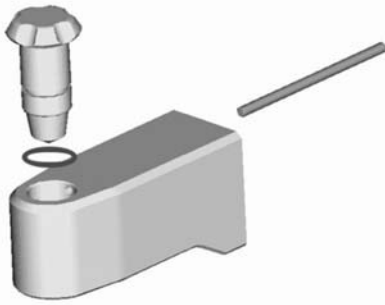


fig. 13

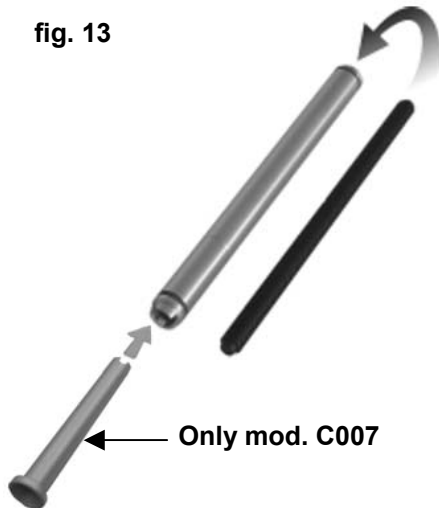


fig. 14

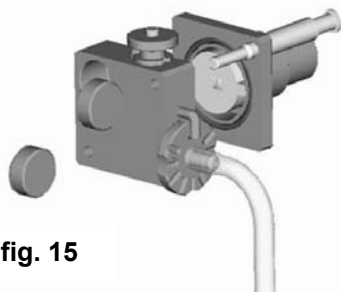


fig. 15

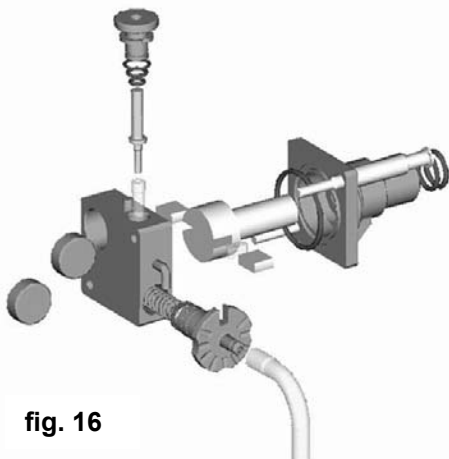


fig. 16

wear, make it run only for the time necessary to cleaning .

4. Counterclockwise turn the tap to remove it: a) draw out the dispensing cock and disassemble it (pict 13); b) remove the sleeve by drawing it outwards and take the labyrinth out (pict 14); c) clockwise turn the pump to extract it from its seat. Accurately wash.
5. Disassemble the pump according to the following instructions: a) unscrew the two knobs; b) remove the cover (pict 15); c) draw the rotor with the scrapes out; d) take the shutter and the rubber non-return valve out; e) extract the "cream regulator" with relevant spring and suction hose. Wash with detergent solution and clean the suction hose with the apposite cleaning rod; then sanitize (pict 16).
6. To mount the pump again, follow the opposite sequence, remember to apply a thin layer of specific lubricant on the rotor.
7. Empty the tank of the detergent, rinse with a plenty of water and then sanitize. Before restart the production of whipped cream, completely drain the sanitizer.
8. Mount the cock, the sleeve, the labyrinth and the pump on the machine again.
9. Press the pushbutton ON/OFF so that both leds are lighted up.



- To preserve plastic components and the rotor, never make use of solvents and/or diluents during washing.
- Chemical products for sanitization shall be used according to the standards in force and with utmost caution.
- After each sanitization, do not touch sterilized parts with hands, towels, sponges or others.
- Avoid to use the pump dry.
- Avoid to use for a long period the pump with water only

#### 4. TROUBLE-SHOOTING

TROUBLE	POSSIBLE CAUSES	REMEDIES
The equipment does not work and the warning lights are off	Lack of power supply	Check the presence of voltage in the mains
	Automatic breaker tripped or power current fuses blown	Send for the technician
The machine is on, but the temperature in the tank does not fall	Machine not enabled	Press the master switch ON/OFF until both warning lights light up.
	Lack of refrigerant in the cooling system	Send for the technician
The product in the tank is frozen	Wrong thermostat temperature	Increase the seted thermostat temperature
The product in the tank is too warm	Wrong thermostat temperature	Reduce the seted thermostat temperature
The cream comes out liquid	Wrong pump regulation	Turn the "cream regulator" to higher positions
	Stuck non-return valve	Wash the shutter and the rubber non-return valve
	The cream is not suitable for whipping	Use another kind of cream
Cream comes out slowly and it is too rich in air	Wrong pump regulation	Turn the "cream regulator" to lower positions
	Tracer not aligned with notches	Make sure that the tracer is in connection with the cream regulator notches
The pump works, but no cream comes out of the cock	Possible obstruction of the labyrinth and the cock holes	Wash labyrinth and cock with warm water.
	Ice presence in the labyrinth	Increase the seted thermostat temperature



### IMPORTANT

Nous vous recommandons de lire attentivement et entièrement ce manuel avant d'utiliser votre machine TAYLOR.

Nous vous conseillons vivement de faire particulièrement attention aux avertissements suivants :



Si vous ne respectez pas cet avertissement-ci, vous courez des risques pour votre santé et/ou pour le bon fonctionnement de la machine.



Vous pourrez obtenir de votre machine un maximum de prestations uniquement si vous respectez attentivement ces conseils.

La machine est sous garantie aux conditions illustrées par le vendeur.

Veillez bien indiquer dans le champ ci-dessous le numéro d'immatriculation de votre machine

Numéro d'immatriculation

Cachet du concessionnaire

Compliments ! Vous avez choisi une machine TAYLOR. Le présent manuel fourni avec cette machine doit être considéré comme une partie intégrante et essentielle de celle-ci et il devra être remis à l'utilisateur final. Avant d'effectuer toute opération, veuillez étudier attentivement les instructions qu'il contient : seule une lecture attentive vous permettra d'obtenir de votre machine un maximum de prestations. Dans les pages qui suivent figurent toutes les indications permettant d'effectuer correctement les opérations d'installation, de fonctionnement, de réglage et d'entretien ordinaire. TAYLOR se réserve le droit d'apporter toutes les modifications nécessaires dans le but d'améliorer son produit ou son manuel technique, en insérant les variantes dans les éditions successives.



Ne jamais toucher la machine avec les mains ou avec des outils, lors des opérations de production ainsi que de nettoyage et d'entretien, avant d'avoir vérifié au préalable si la machine est bien en fonction STOP, si l'interrupteur général est bien ouvert et/ou si la fiche de courant multipolaire est bien déconnectée.

TAYLOR décline toute responsabilité en cas d'éventuel d'accident qui se produirait suite à la non-application des points susdits durant l'utilisation de ses machines.

## TABLE DES MATIERES

<b>1. INSTALLATION</b> .....	<b>4</b>
1.1 Inspection préliminaire .....	4
1.2 Utilisations .....	4
1.3 Limites d'utilisation .....	4
1.4 Matériel en dotation .....	4
1.5 Marquage .....	4
1.6 Mise en marche .....	5
<b>2. FONCTIONNEMENT</b> .....	<b>6</b>
2.1 Tableau de contrôle, commandes et composants .....	6
2.2 Distribution de crème fouettée .....	6
2.3 Distribution temporisée .....	7
2.4 Régulation de la température de conservation.....	7
2.5 Affichage des alarmes .....	8
2.6 Réglage du fouetteur de crème .....	8
<b>3. ENTRETIEN ET NETTOYAGE</b> .....	<b>10</b>
3.1 Lavage et lubrification .....	10
<b>4. RECHERCHE DES PANNES</b> .....	<b>12</b>
<b>5. ANNEXES</b> .....	<b>I</b>
5.1 Caractéristiques techniques .....	I
5.2 Schéma du circuit frigorifique .....	II



## 1 INSTALLATION

### 1.1 Inspection préliminaire

La machine voyage aux risques et périls de l'acquéreur; si vous remarquez que l'emballage est abîmé, faites immédiatement une réserve au transporteur.

Emettez également une réserve au transporteur tout de suite après le déballage, même s'il a lieu quelques jours après la livraison, si vous remarquez que la machine est abîmée. Il est toujours préférable d'accepter la marchandise SOUS RESERVE DE VERIFICATION. L'appareil doit être déplacé avec soin; les chutes et les chocs peuvent l'endommager même sans qu'il y ait de dommages apparents.

### 1.2 Utilisations

Appareil destiné au refroidissement et à la production de crème fouettée pour les usages autorisés par la Loi.

### 1.3 Limites d'utilisation

Les autres usages sont interdits sauf autorisation préalable du fabricant.

L'appareil ne convient pas aux liquides dangereux ou inflammables.

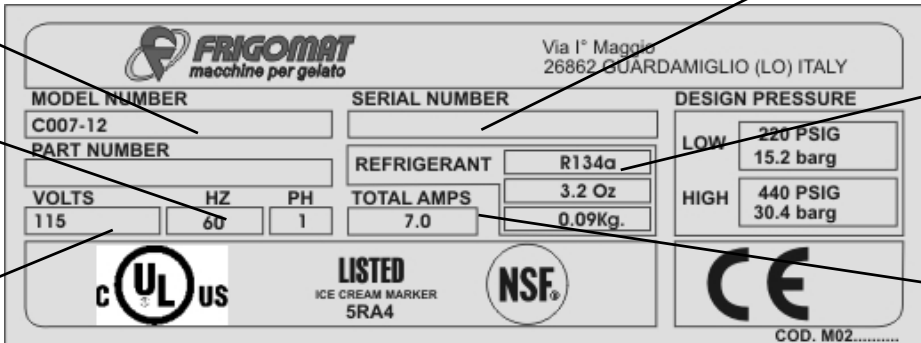
Température ambiante maximum : cl. N=32° (conformément aux données figurant sur la plaquette).

En accord avec les normes EN en vigueur, l'appareil ne se prête pas aux applications mobiles.

### 1.4 Matériel en dotation

- N°1 Goupillon
- N°1 Extracteur joints

### 1.5 Marquage



The image shows a technical specification plate for a FRIGOMAT ice cream maker. The plate contains the following information:

- FRIGOMAT** *macchine per gelato*
- Via I° Maggio 26862 GUARDAMIGLIO (LO) ITALY
- MODEL NUMBER**: C007-12
- SERIAL NUMBER**: [Blank]
- DESIGN PRESSURE**:
  - LOW: 220 PSIG / 15.2 barg
  - HIGH: 440 PSIG / 30.4 barg
- PART NUMBER**: [Blank]
- REFRIGERANT**: R134a (3.2 Oz / 0.09Kg)
- VOLTS**: 115
- HZ**: 60
- PH**: 1
- TOTAL AMPS**: 7.0
- UL US** (UL logo)
- LISTED** ICE CREAM MARKER 5RA4
- NSF** (NSF logo)
- CE** (CE logo)
- COD.** M02.....

Labels pointing to the plate:

- MODELE**: points to MODEL NUMBER
- FREQUENCE**: points to HZ
- TENSION**: points to VOLTS
- N° IMMATRIC.**: points to SERIAL NUMBER
- GAZ**: points to REFRIGERANT
- AMPERE**: points to TOTAL AMPS



fig. 1



fig. 2



fig. 3



fig. 4

## 1.6 Mise en marche

Dans la cuve se trouve un emballage avec les composants suivants à assembler :

tube, labyrinthe de tubes, robinet, recueille gouttes.

- Insérer le tube dans la glissière prévue à cet effet, jusqu'à l'entrée de la pompe (fig.1). Insérer le labyrinthe dans le tube (fig.2) Insérer l'entretoise (seulement C007)
- monter le robinets dans la glissière prévue à cet effet et la tourner de 45° dans le sens des aiguilles d'une montre (fig.3).
- Insérer le recueille-gouttes dans son siège (fig.4) Avant de mettre en marche la machine, nettoyer et stériliser tous les composants en contact avec le produit.



- L'appareil doit être installé uniquement par le personnel technique autorisé qui se chargera de l'entretien, conformément à la réglementation en vigueur
- contrôler que les valeurs de tension et de portée du réseau d'alimentation correspondent bien à celles qui figurent sur la plaquette des données techniques
- brancher l'appareil à une prise de courant avec un contact de mise à la terre correct en interposant un interrupteur de protection automatique ou avec des fusibles de portée appropriée. Le câble doit être bien tendu, sans enroulements et superpositions, il ne doit pas être exposé à des risques de chocs ou à des altérations; il ne doit pas être placé à proximité de liquides ou d'eau et de sources de chaleur; en aucun cas il ne doit être endommagé, et dans ce cas il faudra le faire remplacer par du personnel qualifié avant le branchement de la machine au réseau.
- ne pas exposer la machine au soleil ou à d'autres sources de chaleur
- poser l'appareil sur une surface parfaitement plate et laisser au moins 10 cm à compter des panneaux latéraux entre la machine et les murs, ou autres obstacles
- le côté du condensateur à air doit être facilement accessible pour le nettoyage.

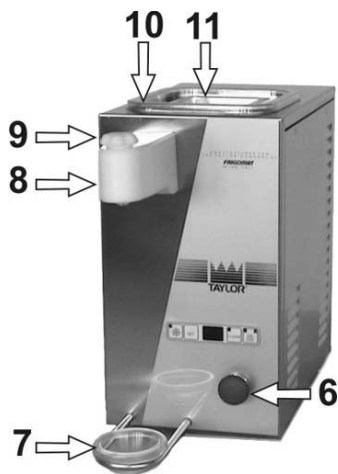


fig. 5



fig. 6



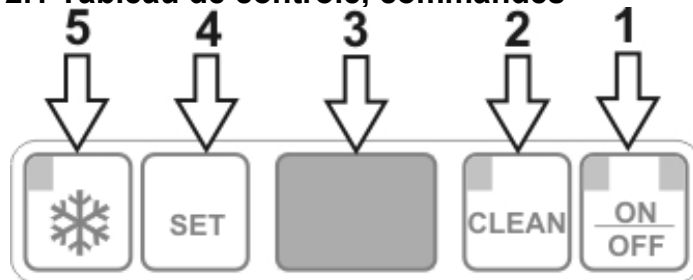
fig. 7



fig. 8

## 2. FONCTIONNEMENT

### 2.1 Tableau de contrôle, commandes



1. Bouton général ON/OFF avec voyant indiquant : “appareil branché et sous tension” (voyant de droite), “machine habilitée” (voyant de gauche);
2. CLEAN : voyant “machine en phase de nettoyage”;
3. ECRAN indiquant : contrôle de température en cuve – affichage des alarmes – durée de distribution en secondes;
4. SET : Bouton pour l’insertion de la distribution temporisée; régulation température
5. Voyant indiquant : machine en refroidissement;
6. Bouton de distribution;
7. Recueil gouttes;
8. Robinets;
9. Piston de distribution
10. Couvercle de la cuve
11. Thermometre cuve. (fig.5)

### 2.2 Distribution de crème fouettée

1. Procéder au lavage et à l’assainissement approprié comme indiqué au paragraphe “Lavage et lubrification”
2. Enfoncer la touche “ON” de l’interrupteur général, le voyant gauche s’allume, le compresseur refroidi le bac jusqu’à ce que la température de conservation est rejointe.
3. Pour le modèle C004 verser dans la cuve uniquement de la crème froide en parfait état de conservation. Introduire max. 2,5 lt de crème liquide dont le niveau devra en tous cas rester en dessous de la base de la pompe (fig.6)  
Pour le modèle C007, verser dans la cuve uniquement de la crème froide en parfait état de conservation. Introduire max. 9/6 lt de crème liquide.
4. Tourner le “régulateur de la crème” jusqu’à la position désirée (voir paragraphe 2.5) (fig.7)
5. Pour la distribution de crème fraîche, appuyer sur le bouton afin d’extraire la quantité désirée (fig.8)

- Éviter de verser de la crème liquide sur la pompe durant le remplissage de la cuve
- contrôler que le sucre ait bien fondu dans la crème afin d'éviter que d'éventuels grumeaux ne bouchent le tuyau flexible d'aspiration de la pompe
- les adjonctions de sucre supérieures à 8%-10% du poids de la crème liquide sont toutefois déconseillées car elles limitent l'augmentation de volume.



- ne jamais ajouter à la crème des substances solides, comme par exemple des morceaux de noisettes, de chocolat, etc. qui pourraient boucher la pompe et endommager ainsi l'appareil
- éviter d'utiliser la pompe à sec
- éviter d'utiliser la pompe seulement avec de l'eau
- durant le fonctionnement de la machine, toujours vérifier que le couvercle de la cuve soit bien fermé afin d'éviter que la poussière et les impuretés ne pénètrent dans le produit
- avant de démarrer la distribution de crème fraîche, contrôler sur le tableau de commandes que la température du thermomètre soit bien comprise entre 1°C (33,8°F) et +5°C (41°F). En cas de températures plus élevées, la crème risque de ne pas monter et elle ne se conservera pas de façon hygiénique.

### **2.3 Distribution temporisée**

Cette fonction sert au cas où l'on voudrait effectuer de fréquentes distributions de crème avec des durées constantes. La machine est livrée avec une durée de distribution mise à zéro. Pour insérer une durée, procéder comme suit :

1. appuyer sur le bouton "SET", la valeur "0.0" apparaîtra sur l'écran, en même temps appuyer sur le bouton "ON-OFF" pour sélectionner la nouvelle durée. En appuyant à diverses reprises, la durée indiquée sur l'écran augmente de 0,2 secondes à la fois, jusqu'à un maximum de 6 secondes, puis elle retourne à zéro et le cycle recommence. En maintenant le bouton "ON-OFF" enfoncé, la valeur sur l'écran défile rapidement.
2. Lorsque l'on relâche les boutons, l'on confirme la durée de distribution. Sur l'écran la température de la crème apparaît.
3. Appuyer sur le bouton de distribution, la pompe s'insère jusqu'à la fin de la durée sélectionnée précédemment.
4. Pour remettre la durée à zéro, ou bien pour la changer, procéder comme indiqué ci-dessus.

### **2.4 Régulation de la température de conservation**

Cette fonction sert au cas où l'on voudrait modifier la température du thermostat du produit dans la cuve. Pour insérer une nouvelle valeur, procéder comme suit :

1. Vérifier que la machine soit connectée électriquement (led droit du bouton ON/OFF s'allume) et quelle soit en OFF (led gauche sur le bouton ON/OFF soit éteint).
2. Presser simultanément les boutons « ON/OFF » et « SET » et sur le display apparaîtra la température de thermostatation.
3. En pressant le bouton « SET », presser le bouton « ON/OFF » pour l'imposition de la nouvelle valeur de température.

4. Atteint la valeur désirée, relâcher les bouton « SET » et « ON/OFF » pour momoriser le données.
5. Allumer la machine en appuyant le bouton « ON/OFF » (led gauche s'allume)

## 2.5 Affichage des alarmes

Si cette légende apparaît à l'écran, elle indique "sonde en panne court-circuitée".



Dans ces deux cas, il faut demander l'intervention d'un technicien.

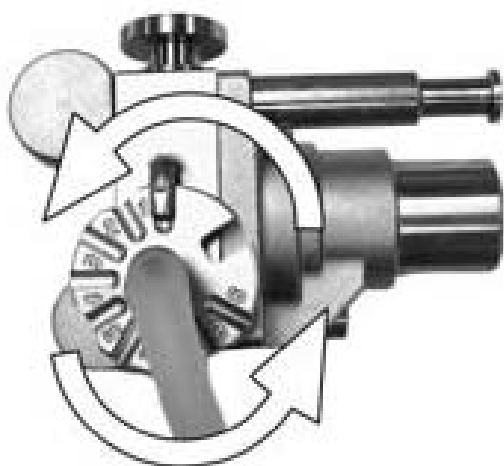


fig. 9

## 2.6 Réglage du fouetteur de crème

C004-C007 sont en mesure de monter de la crème fraîche, de la crème végétale et "reconstruite" ayant des valeurs de matière grasse comprises entre 26 et 40%.

Pour obtenir une crème bien fouettée il faut intervenir sur le "régulateur de crème" situé sur le flanc du corps pompe et identifier laquelle des 9 positions disponibles sera la plus correcte pour la crème que l'on est en train d'utiliser à ce moment là et pour le type de produit que l'on veut obtenir lors de la distribution.

En tournant le régulateur sur des valeurs basses (1,2,...) vous obtiendrez un produit moins fouetté; en le tournant vers des valeurs plus élevées (...8,9) vous obtiendrez alors une crème plus riche d'air. (fig.9)

 **CONSEIL** 

C'est seulement en agissant sur le "régulateur de crème" qu'il est possible d'obtenir le juste mélange d'air et de liquide et par conséquent une très bonne crème fouettée.

 **ATTENTION** 



fig. 10

Pour effectuer un mélange correct il vaut toujours mieux partir de la position n°1 et de tourner progressivement le régulateur sur d'autres positions jusqu'à ce que l'on obtienne le produit désiré.

Des types de crème différents doivent être réglés sur des positions différentes.

Certaines crèmes végétales et en général les crèmes avec un pourcentage élevé de matières grasses peuvent ne pas monter avec les positions élevées du "régulateur de crème".

Contrôlez bien que l'indicateur de position soit toujours en face d'un cran et jamais à cheval entre deux crans (fig.10).

### 3. ENTRETIEN



Durant les opération d'entretien, ne jamais toucher la machine avec les mains ou avec des outils avant d'avoir vérifié auparavant si la machine est bien en fonction STOP, si l'interrupteur général est bien ouvert et/ou si la fiche de courant multipolaire est bien déconnectée. Au cas où des anomalies dans le fonctionnement de la machine se produiraient, vérifier qu'elles ne dépendent pas du manque d'entretien ordinaire. Dans le cas contraire, demander l'intervention du technicien. En cas de changement de pièces, demander impérativement des pièces de rechange ORIGINALES TAYLOR à un concessionnaire ou à un revendeur autorisé.



fig. 11



fig. 12

#### 3.1 Lavage et lubrification.

Les matières grasses présentes dans la crème sont un terrain idéal pour la prolifération des bactéries et des moisissures. Pour éliminer cet inconvénient, il faut laver et nettoyer soigneusement tous les organes en contact avec le produit. Les matériels inoxydables et/ou plastiques/alimentaires utilisés sur nos machines, conformes aux dispositions internationales les plus sévères, facilitent le lavage mais ils ne peuvent empêcher la formation de moisissures, etc. due à un manque de nettoyage.

TAYLOR conseille de nettoyer la cuve et la pompe au moins deux fois par semaine et de toute façon en respectant les normes sanitaires en vigueur dans le pays où la machine est installée.

Tous les soirs, une fois la vente terminée, si l'on ne prévoit pas d'effectuer le lavage complet, il est en de toute façon conseillé de démonter le découpeur, le robinet, le tube et le labyrinthe de tubes pour les laver et les assainir.

Enlever périodiquement avec le démouleur les Rings et les laver soigneusement.

Comment effectuer un nettoyage correct du fouetteur de crème C004-C007:

1. Désinsérer la machine et enlever les résidus de crème.
2. Verser dans la cuve une solution détergente/assistante et laisser agir pendant quelques minutes.
3. A ce moment-là, il est possible, mais pas obligatoire, d'effectuer un prélavage en appuyant sur le bouton de distribution pendant 3-4 secondes max. Durant cette opération, l'indication (--) apparaît à l'écran et le voyant "CLEAN" s'allume jusqu'à ce que l'on relâche le bouton de distribution. Attention : afin d'éviter l'usure de la pompe, la faire fonctionner juste le temps nécessaire au nettoyage.

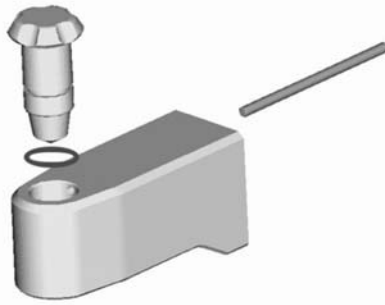


fig. 13

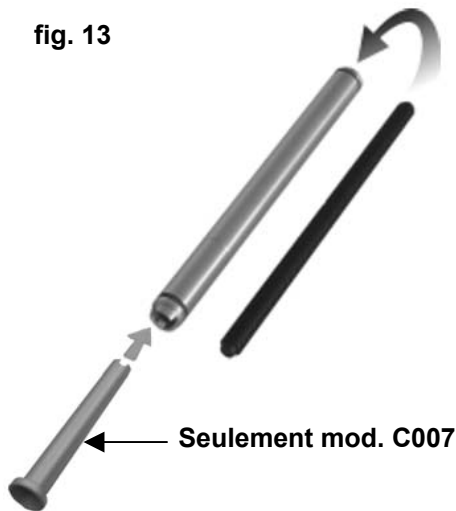


fig. 14

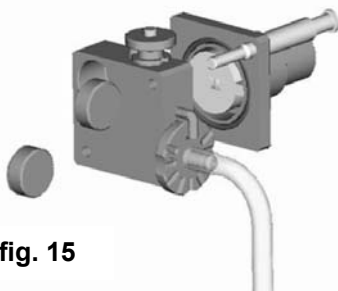


fig. 15

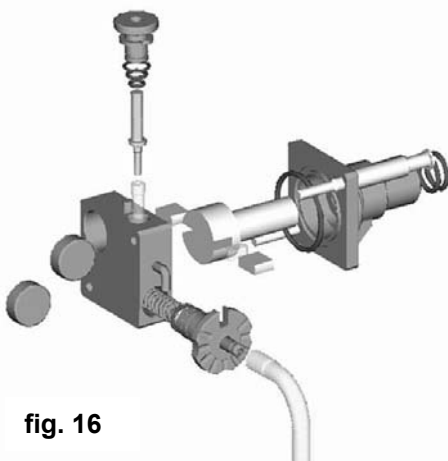


fig. 16

4. Enlever la tête de distribution en la tournant dans le sens contraire des aiguilles d'une montre : a) extraire le robinet de distribution et démonter ses différentes parties (fig.13); b) enlever le tube en le tirant vers l'extérieur et extraire le labyrinthe de tubes (fig.14); c) enlever la pompe en la tournant dans le sens des aiguilles d'une montre et la sortir de son siège. Laver soigneusement.
5. Démontez la pompe en procédant comme suit : a) dévisser les 2 poignées de fixation; b) enlever le couvercle (fig.15); c) extraire le rotor avec les deux pelles et les ressorts; d) extraire l'obturateur et le clapet de refoulement en caoutchouc; e) extraire le "régulateur de crème" avec son ressort et son tuyau flexible d'aspiration. Laver avec une solution détergente et nettoyer le tuyau d'aspiration avec le goupillon spécial; et enfin assainir (fig.16).
6. Pour le remontage de la pompe, procéder en sens inverse en ayant soin d'étaler sur le rotor une légère couche de lubrifiant spécial.
7. Vider le produit détergent de la cuve, rincer abondamment à l'eau puis assainir. Pour reprendre la production de crème fouettée, il faut vider complètement la solution assainissante.
8. Remonter sur la machine le groupe robinet, le tube, le labyrinthe de tubes et la pompe.
9. Appuyer de nouveau sur ON/OFF de façon à ce que les 2 voyants lumineux situés sur celui-ci soient allumés.



- Pour protéger les parties en plastique et le rotor, ne jamais utiliser de diluants et/ou solvants quels qu'ils soient durant le lavage.
- Les produits chimiques pour l'assainissement doivent être employés en respectant les normes en vigueur et avec le maximum de prudence.
- Après chaque opération d'assainissement, il ne faut plus toucher les parties stérilisées même pas avec les mains, des serviettes, des éponges ou autres.
- Eviter d'utiliser la pompe à sec.
- Eviter d'utiliser la pompe seulement avec de l'eau



## 4. RECHERCHE DES PANNES

PROBLEME	CAUSES PROBABLES	SOLUTIONS
L'appareil ne fonctionne pas et les voyants sont éteints	Absence d'alimentation électrique	Vérifier la présence de tension sur réseau
	Interrupteur automatique déclenché ou fusibles du réseau grillés	Appeler le technicien
La machine est allumée mais la température cuve ne baisse pas	Machine non habilitée	Appuyer sur la touche générale ON/OFF jusqu'à ce que les 2 voyants s'allument en même temps.
	Groupe frigorifique dépourvu de réfrigérant	Appeler le technicien
Le produit gèle dans la cuve	Température de thermostat erronée	Augmenter la température du thermostat
Le produit dans la cuve est trop chaude	Température de thermostat erronée	Diminuer la température du thermostat
La crème sort liquide	Réglage pompe erronée	Tourner le "régulateur de crème" sur des crans à valeurs plus élevées
	Clapet de refoulement collée	Laver l'obturateur et le clapet de refoulement en caoutchouc
	La qualité de la crème ne convient pas pour faire de la crème fouettée	Changer de type de crème
La crème sort lentement et elle est trop pleine d'air	Réglage de la pompe erroné	Tourner le "régulateur de crème" sur des crans à valeur plus faibles
	Bouton non aligné avec les crans	Contrôler que le bouton soit bien en correspondance des crans du régulateur de crème
La pompe fonctionne mais la crème ne sort pas du robinet	Bouchage possible du labyrinthe de tubes et des trous du robinet	Laver à l'eau chaude le labyrinthe de tubes et le robinet.
	Présence de glace dans le labyrinthe	Augmenter la température du thermostat



### IMPORTANTE

Les recomendamos leer con atención e íntegramente este manual antes de utilizar su máquina TAYLOR.

En su propio interés pongan atención en particular a las advertencias marcadas en el modo siguiente:



Si esta advertencia no se observa se corre el riesgo de comprometer la propia salud y/o el buen funcionamiento de la máquina.



Sólo observando con atención estas advertencias es posible obtener de la máquina las máximas prestaciones posibles.

La máquina está cubierta por garantía según las condiciones ilustradas por el vendedor.

Por favor escriban en el campo de abajo el número de matrícula de su máquina

Número matrícula

Timbre del concesionario

Reciba nuestras felicitaciones por haber adquirido una máquina TAYLOR.

El siguiente manual, que se facilita en dotación con la máquina, ha de considerarse parte integrante y esencial de la misma y se deberá entregar al usuario final. Antes de efectuar cualquier operación se recomienda estudiar con atención las instrucciones contenidas en él ya que sólo una atenta lectura les permitirá obtener de su máquina el máximo de las prestaciones. En las páginas siguientes están presentes todas las indicaciones necesarias para efectuar correctamente las operaciones de instalación, funcionamiento, regulación y mantenimiento ordinario. TAYLOR se reserva el derecho de aportar sin aviso previo las modificaciones que considerará necesarias para mejorar el propio producto o el propio manual técnico introduciendo las variantes en las sucesivas ediciones.



Nunca intervenir sobre la máquina sea con las manos que con herramientas, sea durante las operaciones de producción que durante las de limpieza y mantenimiento, sin haberse asegurado antes de que la máquina esté en función de STOP, el interruptor general abierto y/o el enchufe multipolar de corriente desconectada.

TAYLOR declina cualquier responsabilidad para accidentes que puedan ocurrir durante el uso de las propias máquinas causados de la inobservancia de lo indicado arriba.

## INDICE

<b>1. INSTALACIÓN</b>	<b>3</b>
1.1 Inspección preliminar .....	4
1.2 Usos .....	4
1.3 Límites de uso .....	4
1.4 Dotación .....	4
1.5 Marca .....	4
1.6 Puesta en función .....	5
<b>2. FUNCIONAMIENTO</b> .....	<b>6</b>
2.1 Panel de control, mandos y componentes .....	6
2.2 Erogación de nata montada .....	6
2.3 Erogación temporizada .....	7
2.4 Regulación temperature conservación.....	7
2.5 Visualización de las alarmas .....	8
2.6 Regulación de la batidora .....	8
<b>3. MANTENIMIENTO Y LIMPIEZA</b> .....	<b>10</b>
3.1 Lavado y lubricado .....	10
<b>4. BÚSQUEDA DE LAS AVERÍAS</b> .....	<b>12</b>
<b>5. APÉNDICES</b> .....	<b>I</b>
5.1 Datos técnicos .....	I
5.2 Esquema circuito frigorífico .....	II

## 1 INSTALACIÓN

### 1.1 Inspección preliminar

La máquina viaja bajo responsabilidad del comitente, si notan daños al embalaje, informen inmediatamente al transportista.

Informen igualmente al transportista enseguida después de la apertura del embalaje, aunque esto ocurra algún día después de la entrega, si hallaran algún daño a la máquina. Es siempre preferible aceptar la mercancía con RESERVA DE VERIFICACIÓN.

El aparato ha de manipularse con cuidado; caídas y golpes pueden dañarlo incluso sin daños exteriores.

### 1.2 Usos

Aparato idóneo a la refrigeración y producción de nata montada para los usos consentidos en los términos de Ley.

### 1.3 Límites de uso

No están consentidos otros usos sin previa autorización del fabricante.

El aparato no es adecuado para líquidos peligrosos o inflamables.

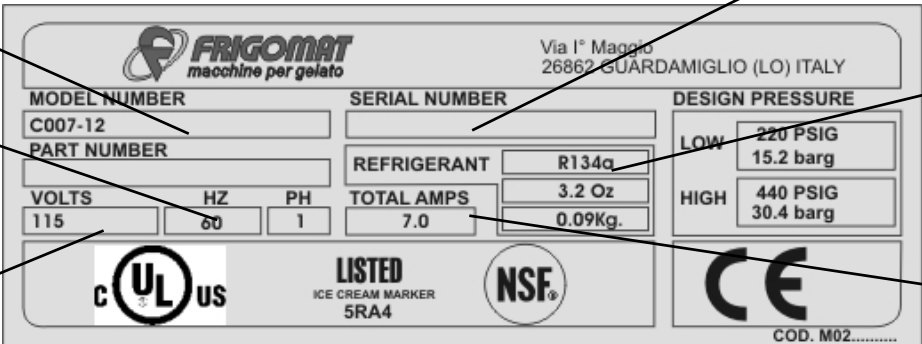
Máxima temperatura ambiente: cl. N=32° (según el dato indicado en la placa).

En el respecto de las normas EN en vigor el aparato no es idóneo para aplicaciones móviles.

### 1.4 Dotación máquina

- N°1 Escobillón
- N°1 Extractor guarniciones

### 1.5 Marca



The image shows a technical label for a FRIGOMAT machine. The label contains the following information:

- FRIGOMAT** *macchine per gelato*
- Via 1° Maggio 26862 GUARDAMIGLIO (LO) ITALY
- MODEL NUMBER**: C007-12
- SERIAL NUMBER**: [Blank]
- DESIGN PRESSURE**:
  - LOW: 220 PSIG / 15.2 barg
  - HIGH: 440 PSIG / 30.4 barg
- PART NUMBER**: [Blank]
- REFRIGERANT**: R134a
- TOTAL AMPS**: 7.0
- Other values**: 3.2 Oz, 0.09Kg.
- VOLTS**: 115
- HZ**: 60
- PH**: 1
- UL US** and **LISTED** ICE CREAM MARKER 5RA4
- NSF** logo
- CE** logo
- COD. M02**.....

Annotations on the label:

- MODELO** points to the Model Number.
- FRECUENCIA** points to the HZ value.
- TENSION** points to the VOLTS value.
- N° MATRICULA** points to the SERIAL NUMBER.
- GAS** points to the REFRIGERANT type.
- AMPER** points to the TOTAL AMPS value.



fig. 1



fig. 2



fig. 3



fig. 4

### 1.6 Puesta en función

En la cuba se halla una confección con los siguientes componentes por ensamblar:

tubo, laberinto, grifo, recogedor de gotas.

- introducir el tubo en la guía al efecto, hasta encontrar la entrada bomba (fig.1). Introducir el laberinto en el tubo (fig.2) y introducir el distanciador (solo C007)

- montar el grifo en la guía al efecto y girarlo de 45° en el sentido de las agujas del reloj (fig.3).

- introducir el recogedor de gotas en su sede (fig.4)

Antes de poner en función la máquina es necesario lavar los componentes y esterilizarlos

- El aparato tiene que ser instalado sólo por el personal técnico autorizado, que cuidará el



mantenimiento, según las normas vigentes

- Controlar que los valores de tensión y de capacidad de la red de alimentación correspondan a los indicados en la placa de los datos técnicos

- Conectar el aparato a una toma de corriente con eficaz contacto de puesta a tierra interponiendo un interruptor de protección automático o con fusibles de capacidad adecuada. El cable tiene que estar bien extendido, evitando arrollamientos y superposiciones, no expuesto a eventuales golpes o modificaciones; no tiene que estar cerca de líquidos o agua y fuentes de calor; no tiene que tener daños, en caso contrario hacerlo sustituir por personal cualificado antes de la conexión de la máquina a la rete

- no exponer C004-C007 al sol o a otras fuentes de calor

- apoyar el aparato sobre una superficie perfectamente llana y dejar entre la máquina y las paredes, u otros obstáculos, al menos 10 cm de los paneles laterales

- El lado del condensador de aire tiene que ser de fácil acceso para poder realizar la limpieza.

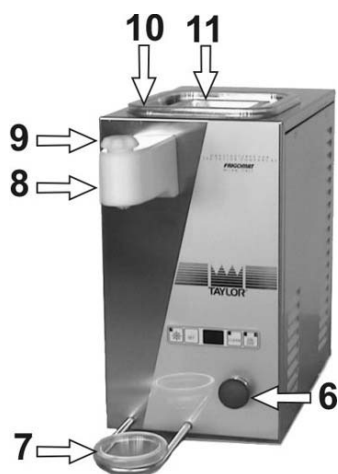


fig. 5



fig. 6



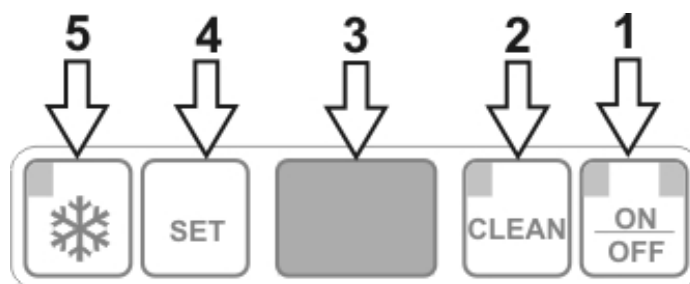
fig. 7



fig. 8

## 2. FUNCIONAMIENTO

### 2.1 Panel de control, comandos



- 1) pulsador general ON/OFF con led que indican: "aparato conectado y bajo tensión" (led derecho), "máquina habilitada" (led izquierdo);
- 2) CLEAN: Led "máquina en limpieza";
- 3) DISPLAY que indica: control temperatura en cuba – visualización alarmas – tiempo erogación en segundos;
- 4) SET: Pulsador para conexión erog. temporizada; regulación termostato
- 5) Led que indica máquina en enfriamiento;
- 6) Pulsador erogación;
- 7) Recogedor de gotas;
- 8) Grifo;
- 9) Piston de distribución
- 10) Tapa cuba
- 11) Termometro cuba.(Fig. 5)

### 2.2 Erogación de nata montada

1. proceder al lavado y a la idónea esterilización como indicado en el párrafo "Lavado y lubricado"
2. oprimir el interruptor general sobre "ON", se enciende el led izquierdo, el compresor enfría la tapa hasta alcanzar la temperatura de conservación.
3. Por el modelo C004, verter en la cuba sólo nata fría en perfecto estado de conservación. Introducir no más de 2,5 litros de nata líquida que de todas maneras nunca tendrá que alcanzar la base de la bomba (fig.6)  
Por el modelo C007, verter en la cuba sólo nata fría en perfecto estado de conservación. Introducir no más de 9/6 litros de nata.
4. girar el "regulador de la nata" sobre la posición deseada (véase párrafo 2.5) (fig.7)
5. para la erogación de nata montada oprimir el pulsador para extraer la cantidad deseada (fig.8)

- Evitar verter nata líquida sobre la bomba, durante el llenado de la cuba
- asegurarse de que el azúcar esté bien deshecho en la nata para evitar que eventuales grumos obstruyan el tubo aspirador sumergido de la bomba
- añadiduras de azúcar superiores al 8%-10% del peso de la nata líquida están de todas maneras desaconsejados ya que limitan el aumento en volumen.



- no añadir nunca a la nata sustancias sólidas, como pedacitos de avellanas, chocolate, etc., que obstruirían la bomba dañando el aparato
- evitar usar la bomba en seco
- evitar usar la bomba solamente con agua
- durante el funcionamiento de la máquina tener siempre la tapa cuba cerrada para evitar que entren polvo e impurezas en el producto
- antes de iniciar la erogación de nata montada, controlar en el cuadro mandos que la temperatura del termómetro esté incluida entre +1°C (33,8°F) y +5°C (41°F). A temperaturas más calientes la nata puede no montarse y no se conserva higiénicamente.

### **2.3 Erogación temporizada**

Esta función sirve en caso de tener la necesidad de efectuar frecuentes erogaciones de nata a tiempos constantes. La máquina se entrega con tiempo de erogación a cero. Para introducir un valor de tiempo proceder de la siguiente manera:

1. oprimir el pulsador "SET", en el display aparecerá el valor "0.0" contemporáneamente oprimir el pulsador "ON-OFF" para programar el nuevo valor de tiempo. Oprimiendo por impulsos, el valor del display aumenta de 0,2 segundos a la vez, hasta un máximo de 6 segundos, luego vuelve a cero y el ciclo vuelve a empezar. Manteniendo apretado el pulsador "ON-OFF", el valor en el display corre velozmente.
2. Soltando los pulsadores se confirma el valor del tiempo de erogación. En el display aparece la temperatura de la nata.
3. Oprimir el pulsador de erogación, se conecta la bomba hasta el término del tiempo programado precedentemente.

Para llevar otra vez el tiempo a cero, o para cambiarlo, proceder como descrito arriba.

### **2.4 Regulación temperature conservación**

Esta función sirve en caso de tener la necesidad de regular la temperatura de termostato del producto en la cuba. Para introducir un nuevo valor de temperatura proceder de la siguiente manera:

1. Verificar que la máquina sea conectada a la línea eléctrica (led derecho del pulsador ON/OFF se enciende) y verificar que la máquina sea en OFF (led izquierdo del pulsador ON/OFF extinguido)



2. Presionar contemporáneamente los pulsadores “ON/OF” y “SET”, sobre el display aparece la temperatura del termostato.
3. Tener presionado el pulsador “SET” y presionar el pulsador “ON/OFF” para regular la nueva temperatura.
4. Alcanzado el valor deseado, dejar los pulsadores “SET” y “ON/OFF” para memorizar el dato.
5. Encender la maquina presionando el pulsador “ON/OFF” (led izquierdo encendido).

## 2.5 Visualización de las alarmas

Si en el display aparece esta indicación significa “sonda averiada en cortocircuito”.



Si en el display aparece esta indicación significa “sonda averiada desconectada”.



En ambos casos es necesario pedir la intervención de un técnico.

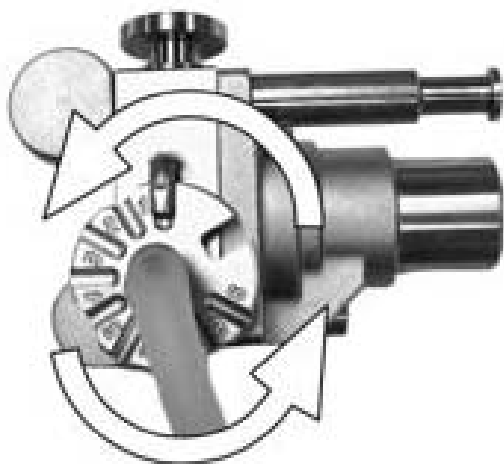


fig. 9

## 2.6 Regulación de la batidora

C004-C007 es capaz de montar nata fresca, nata vegetal y “reconstruida” con valores de grasas incluidos entre el 26 y el 40%.

Para obtener una nata bien montada es necesario actuar sobre el “regulador de nata” posicionado sobre el lado del cuerpo bomba e individualar cual entre las 9 posiciones disponibles sea la más idónea para la nata en aquel momento utilizada y al tipo de producto que se quiere obtener con la erogación.

Girando el regulador sobre valores bajos (1,2,...) se obtendrá un producto menos montado; girándolo hacia valores más altos (...8,9) en cambio, se obtendrá una nata más rica de aire (fig.9).

 SUGERENCIA 

Sólo actuando sobre el “regulador de nata” es posible obtener la correcta mezcla entre aire y líquido y por lo tanto una óptima nata montada.

 ATENCIÓN 



fig. 10

Para proceder a una correcta regulación es mejor empezar siempre de la posición n°1 y girar progresivamente el regulador sobre las otras posiciones hasta obtener el producto deseado.

Para montar natas diferentes es necesario regular sobre posiciones diferentes.

Algunas natas vegetales y en general natas con altos porcentajes de grasas pueden no montarse sobre posiciones altas del “regulador de nata”.

Hay que asegurarse siempre de que el indicador de posición esté sobre una muesca y nunca entre dos (fig.10).

### 3. MANTENIMIENTO



Durante el mantenimiento nunca intervenir con las manos o con herramientas sin haberse asegurado antes de que la máquina esté en función de STOP, el interruptor general abierto y/o el enchufe multipolar de corriente desconectada.

En caso se hallaran anomalías en el funcionamiento de la máquina asegurarse de que no dependan de la falta de mantenimiento ordinario. En caso contrario pedir la intervención de un técnico. En caso de sustitución piezas, pedir exclusivamente recambios ORIGINALES TAYLOR a un concesionario o a un revendedor autorizado.



fig. 11



fig. 12

#### 3.1 Lavado y lubricado.

Las grasas presentes en la nata son campos ideales para la proliferación de las cargas bacterianas y de los mohos. Para eliminar este inconveniente hay que lavar y limpiar esmeradamente todos los órganos a contacto con el producto. Los materiales inoxidables y/o plásticos/alimenticios utilizados sobre nuestras máquinas, conformes a las disposiciones internacionales más severas, facilitan el lavado pero no pueden impedir la formación de moho, etc. causadas por limpieza insuficiente.

TAYLOR aconseja limpiar la cuba y la bomba al menos dos veces a la semana y de todas maneras conformemente a las normas higiénicas en vigor en el país donde la máquina está instalada.

Cada noche, terminada la venta, aunque no esté previsto un lavado completo, se aconseja de todas maneras desmontar pitón, grifo, tubo y laberinto para lavarlos y esterilizarlos.

Remover periódicamente con el extractor las juntas tóricas y lavarlas esmeradamente.

Como efectuar una correcta limpieza de la batidora C004-C007:

1. desconectar la máquina y quitar la nata residual.
2. Verter en la cuba solución detergente. Luego dejar actuar por algunos minutos.
3. es posible a este punto, pero no necesario, efectuar un pre-lavado oprimiendo el pulsador de erogación por un máximo de 3-4 segundos. Durante este periodo en el display comparece la indicación (--) y se ilumina el led "CLEAN" hasta que se suelta el pulsador de erogación. Atención: para evitar el desgaste de la bomba dejarla funcionar sólo por el tiempo necesario para la limpieza.

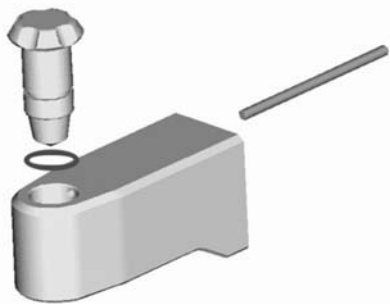


fig. 13

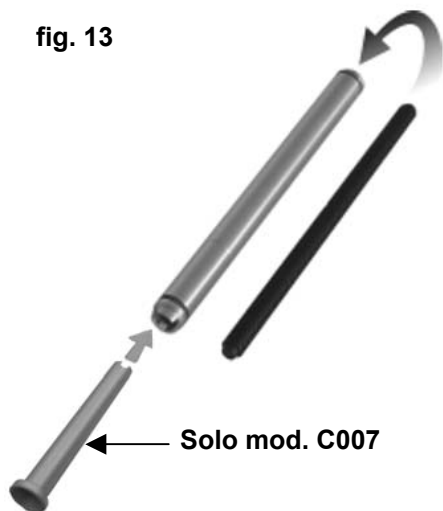


fig. 14

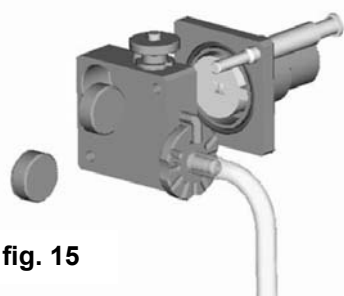


fig. 15

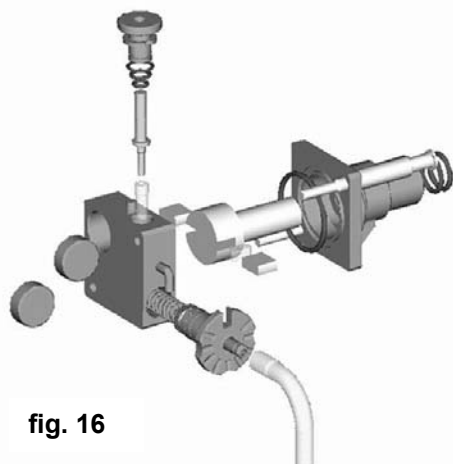


fig. 16

4. quitar la cabeza de erogación girándola en el sentido inverso al de las agujas del reloj: a) extraer el grifo de erogación y desmontar sus partes (fig.13); b) quitar el tubo tirándolo hacia el exterior y extraer el laberinto (fig.14); c) quitar la bomba girándola en el sentido de las agujas del reloj y extraerla de su sede. Lavar esmeradamente.
5. desmontar la bomba procediendo como sigue: a) desenroscar los dos pomos de fijación; b) remover la tapa (fig.15); c) extraer el rotor con las dos paletas y los muelles; d) extraer el obturador y la válvula de retención en goma; e) extraer el "regulador de nata" con el relativo muelle y tubo aspirador sumergido. Lavar con una solución detergente y limpiar el tubo de aspiración con el escobillón al efecto; al fin esterilizar (fig.16).
6. Para volver a remontar la bomba proceder en sentido inverso extendiendo sobre el rotor una capa fina de lubricante específico.
7. Vaciar la cuba del producto detergente, aclarar abundantemente con agua y al fin esterilizar. Para proseguir la producción de nata montada hay que descargar completamente la solución esterilizante.
8. Volver a montar sobre la máquina el grupo grifo, tubo, laberinto y bomba.
9. Oprimir otra vez la tecla ON/OFF de modo que estén encendidos ambos led luminosos situados sobre el mismo.

**⚠ ATENCIÓN ⚠**

- Para preservar las partes en plástico y el rotor nunca utilizar, durante el lavado, disolventes y/o diluentes de ningún tipo.
- Los productos químicos para la esterilización han de utilizarse en el respecto de las normas en vigor
- Después de cada operación de esterilización es indispensable no tocar más las partes esterilizadas ni con las manos ni con paños, esponjas u otro.
- Evitar usar la bomba en seco.

#### 4. BÚSQUEDA DE AVERÍAS

INCONVENIENTE	PROBABLES CAUSE	REMEDIOS
El aparato no funciona y los testigos están apagados	Falta de alimentación eléctrica	Verificar presencia de tensión en red
	Interruptor automático disparado o fusibles de la red quemados	Llamar al técnico
La máquina está encendida pero la temperatura en cuba no baja	Máquina no habilitada	Oprimir la tecla general ON/OFF hasta que no se enciendan ambos testigos.
	Grupo frigorífico descargado de refrigerante	Llamar al técnico
El producto en cuba se hiela	Temperatura de termostatación equivocada	Aumentar la temperatura del termostato
El producto en la cuba es demasiado caliente	Temperatura de termostatación equivocada	Disminuir la temperatura del termostato
La nata sale líquida	Errata regulación bomba	Girar el "regulador nata" sobre muescas con números más altos
	Válvula de retención encolada	Lavar el obturador y la válvula de retención en goma
	La calidad de la nata no es adecuada para ser montada	Sustituir tipo de nata
La nata sale lentamente y está demasiado rica de aire	Errata regulación bomba	Girar el "regulador nata" sobre muescas con números más bajos
	Palpador no alineado con las muescas	Asegurarse de que el palpador esté precisamente a la altura de las muescas del regulador nata
La bomba funciona pero no sale nata del grifo	Posible atascamiento del laberinto y de los agujeros del grifo	Lavar con agua caliente laberinto y grifo.
	Presencia de hielo en el laberinto	Aumentar la temperatura del termostato



## IMPORTANTE

Vi raccomandiamo di leggere attentamente e interamente questo manuale prima di utilizzare la Vostra macchina TAYLOR.

Nel Vostro proprio interesse fate attenzione in particolare alle avvertenze contrassegnate nel modo seguente:



Se tale avvertimento non viene osservato si rischia di compromettere la propria salute e/o il buon funzionamento della macchina.



Solo osservando attentamente queste avvertenze è possibile ottenere dalla macchina le massime prestazioni possibili.

La macchina e' coperta da garanzia secondo le condizioni illustrate dal venditore.

Per favore scrivete nel campo sottostante il numero di matricola della Vostra macchina

Numero matricola

Timbro del concessionario

Ci congratuliamo con Voi per aver scelto di acquistare una macchina TAYLOR. Il seguente manuale, fornito a corredo della macchina, è da considerarsi parte integrante ed essenziale della stessa e dovrà essere consegnato all'utilizzatore finale. Prima di eseguire qualsiasi operazione si raccomanda di studiare attentamente le istruzioni in esso contenute poiché solo un'attenta lettura vi permetterà di ottenere dalla Vostra macchina il massimo delle prestazioni. Nelle pagine seguenti sono presenti tutte le indicazioni necessarie per eseguire correttamente le operazioni di installazione, funzionamento, regolazione e manutenzione ordinaria. La TAYLOR si riserva il diritto di apportare senza preavviso le modifiche che riterrà necessarie per migliorare il proprio prodotto o il proprio manuale tecnico inserendo le varianti nelle successive edizioni.



Non intervenire mai sulla macchina sia con le mani che con attrezzi, sia durante le operazioni di produzione che durante quelle di pulizia e manutenzione, senza essersi prima assicurati che la macchina sia in funzione di STOP, l'interruttore generale aperto e/o la spina multipolare di corrente scollegata.

La TAYLOR declina ogni responsabilità per incidenti che possano verificarsi durante l'uso delle proprie macchine derivanti dall'inosservanza di quanto sopra.

## INDICE

<b>1. INSTALLAZIONE</b>	<b>4</b>
1.5 Ispezione preliminare	4
1.6 Impieghi	4
1.7 Limiti d'impiego	4
1.8 Dotazione a corredo	4
1.9 Marcatura	4
1.10 Messa in funzione	5
<b>2. FUNZIONAMENTO</b>	<b>6</b>
2.1 Pannello di controllo, comandi e componenti	6
2.2 Erogazione di panna montata	6
2.3 Erogazione temporizzata	7
2.4 Regolazione temperatura di conservazione	7
2.5 Visualizzazione degli allarmi	8
2.6 Regolazione del montapanna	8
<b>3. MANUTENZIONE E PULIZIA</b>	<b>10</b>
3.1 Lavaggio e lubrificazione	10
<b>4. RICERCA DEI GUASTI</b>	<b>12</b>
<b>5. APPENDICI</b>	<b>I</b>
5.1 Dati tecnici	I
5.2 Schema circuito frigorifero	II



## 1 INSTALLAZIONE

### 1.1 Ispezione preliminare

La macchina viaggia a rischio e pericolo del committente, se notate danneggiamenti all'imballaggio, fate immediatamente eccezione al vettore.

Fate ugualmente eccezione al vettore subito dopo l'apertura dell'imballo, anche se ciò avviene qualche giorno dopo la consegna, se riscontrate qualche danneggiamento alla macchina.

È sempre preferibile accettare la merce con RISERVA DI VERIFICA.

L'apparecchio va movimentato con cura; cadute ed urti possono danneggiarlo anche senza danni esteriori.

### 1.2 Impieghi

Apparecchio idoneo al raffreddamento e alla produzione di panna montata per gli usi consentiti nei termini di Legge.

### 1.3 Limiti d'impiego

Non sono consentiti altri usi se non previa autorizzazione del fabbricante.

L'apparecchio non è adatto per liquidi pericolosi o infiammabili.

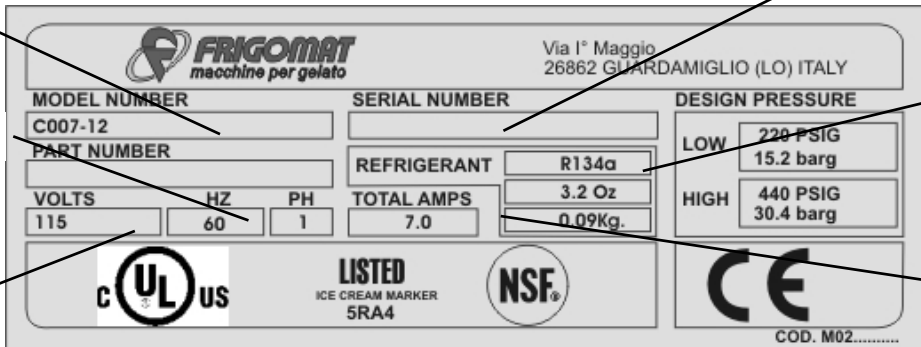
Massima temperatura ambiente: cl. N=32° (in accordo con il dato riportato in targhetta).

Nel rispetto delle norme EN in vigore l'apparecchio non è idoneo per applicazioni mobili.

### 1.4 Dotazione macchina

- N°1 Scovolino
- N°1 Estrattore guarnizioni

### 1.5 Marcatura



The image shows a technical specification label for a FRIGOMAT ice cream machine. The label is divided into several sections:

- MODELLO:** C007-12
- FREQUENZA:** 60 HZ
- TENSIONE:** 115 VOLTS
- N° MATRICOLA:** SERIAL NUMBER
- GAS:** REFRIGERANT R134a
- AMPER:** TOTAL AMPS 7.0

Additional information on the label includes:
 

- FRIGOMAT macchine per gelato
- Via I° Maggio 26862 GUARDAMIGLIO (LO) ITALY
- DESIGN PRESSURE: LOW 228 PSIG (15.2 barg), HIGH 440 PSIG (30.4 barg)
- UL US LISTED ICE CREAM MARKER 5RA4
- NSF
- CE
- COD. M02.....



fig. 1



fig. 2



fig. 3



fig. 4

## 1.6 Messa in funzione

In vasca si trova una confezione con i seguenti componenti da assemblare:

- canotto, tessurizzatore, rubinetto, raccogli-gocce .
- inserire il canotto nell'apposita guida, fino ad incontrare l'ingresso pompa (fig.1). Inserire il tessurizzatore nel canotto (fig.2) , inserire il distanziale (solo C007)
- montare il rubinetto nell'apposita guida e ruotarla di 45° in senso orario (fig. 3).
- inserire il raccogli-gocce nella sua sede (fig.4)

Prima di porre in funzione la macchina è necessario procedere ad una accurata pulizia di tutti i componenti nonché alla sterilizzazione delle parti a contatto con il prodotto.



- L'apparecchio deve essere installato solo dal personale tecnico autorizzato, che ne curerà la manutenzione, in accordo con le norme vigenti
- Controllare che i valori di tensione e di portata della rete di alimentazione corrispondano a quelli riportati nella targa dei dati tecnici
- collegare l'apparecchio ad una presa di corrente con efficace contatto di messa a terra interponendo un interruttore di protezione automatico o con fusibili di portata adeguata. Il cavo deve essere ben steso, evitando arrotolamenti e sovrapposizioni, non esposto a eventuali urti o manomissioni; non deve essere in prossimità di liquidi o acqua e fonti di calore; non deve essere in nessun modo danneggiato, altrimenti farlo sostituire da personale qualificato prima dell'allacciamento della macchina alla rete
- non esporre la macchina al sole o ad altre fonti di calore
- appoggiare l'apparecchio su una superficie perfettamente piana e lasciare tra la macchina e le pareti, o altri ostacoli, almeno 10 cm dai pannelli laterali
- Il lato del condensatore ad aria deve essere facilmente accessibile per la pulizia.

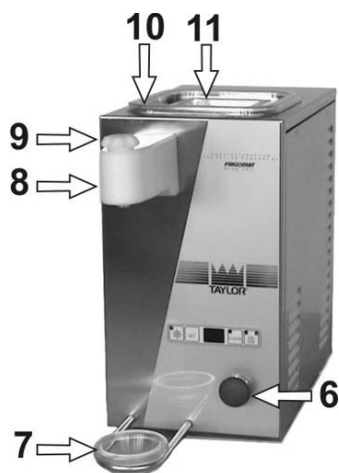


fig. 5



fig. 6



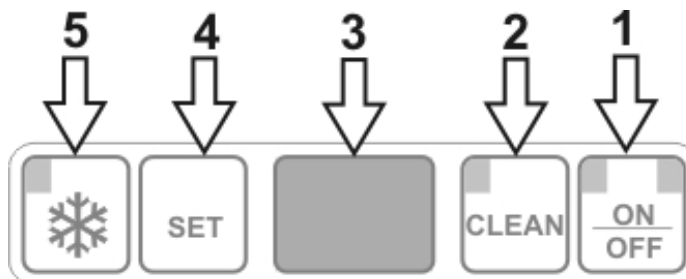
fig. 7



fig. 8

## 2. FUNZIONAMENTO

### 2.1 Pannello di controllo, comandi



1. Pulsante generale ON/OFF con led indicanti: "apparecchio allacciato e sotto tensione" (led destro), "macchina abilitata" (led sinistro);
2. CLEAN: Led "macchina in pulizia";
3. DISPLAY indicante: controllo temperatura in vasca – visualizzazione allarmi – tempo erogazione in secondi;
4. SET: Pulsante inserimento erogaz. Temporizzata – Regolazione termostato;
5. Led indicante macchina in raffreddamento;
6. Pulsante erogazione;
7. Raccogli – gocce;
8. Rubinetto
9. Pistone erogazione
10. Coperchio vasca.
11. Termometro vasca (fig.5)

### 2.2 Erogazione di panna montata

1. procedere al lavaggio e all'ideale sanitizzazione come indicato nel paragrafo "Lavaggio e lubrificazione"
2. premere l'interruttore generale su "ON", si accende il led sinistro, il compressore raffredda la vasca fino al raggiungimento della temperatura di conservazione.
3. Per il modello C004, versare nella vasca solo panna fredda in perfetto stato di conservazione. Introdurre non oltre 2,5 litri di panna liquida che comunque non dovrà mai raggiungere la base della pompa (fig.6).  
Per il modello C007, versare nelle vasche estraibili solo panna fredda in perfetto stato di conservazione, massimo 6 o 9 litri di panna liquida.
4. ruotare il "regolatore della panna" sulla posizione desiderata (vedi paragrafo 2.5) (fig.7)
5. per l'erogazione di panna montata premere il pulsante per estrarre la quantità desiderata (fig.8)

- durante il riempimento della vasca evitare di versare panna liquida sulla pompa
- assicurarsi che lo zucchero sia ben sciolto nella panna per evitare che eventuali grumi ostruiscano il pescante della pompa
- aggiunte di zucchero superiori all'8%-10% del peso della panna liquida sono comunque sconsigliati poiché limitano l'aumento in volume.



- 
- non aggiungere mai alla panna sostanze solide, come pezzi di nocciola, pezzi di cioccolato, ecc., che ostruirebbero la pompa danneggiando l'apparecchio
- evitare di usare la pompa a secco
- evitare di usare la pompa solo con acqua
- durante il funzionamento della macchina tenere sempre il coperchio vasca chiuso per evitare che entrino polvere ed impurità nel prodotto
- prima di iniziare l'erogazione di panna montata, controllare sul quadro comandi che la temperatura del termometro sia compresa tra +1°C (33,8 °F) e +5°C(41°F). A temperature più calde la panna può non montare e non si conserva igienicamente.

### **2.3 Erogazione temporizzata**

Questa funzione serve qualora si abbia la necessità di eseguire frequenti erogazioni di panna con tempi costanti. La macchina viene consegnata con tempo di erogazione azzerato. Per l'inserimento di un valore di tempo procedere come segue:

1. premere il pulsante "SET", sul display comparirà il valore "0.0" contemporaneamente premere il pulsante "ON-OFF" per impostare il nuovo valore di tempo. Premendolo ad impulsi, il valore del display aumenta di 0,2 secondi alla volta, fino ad un massimo di 6 secondi, poi ritorna a zero e ricomincia il ciclo. Tenendo premuto il pulsante "ON-OFF", il valore sul display scorre velocemente.
2. Rilasciando i pulsanti il valore del tempo di erogazione viene confermato. Sul display appare la temperatura della panna.
3. Premere il pulsante di erogazione, si inserisce la pompa fino al termine del tempo impostato precedentemente.
4. Per riportare il tempo a zero, oppure per cambiarlo, procedere come sopra descritto.

### **2.4 Regolazione temperatura di conservazione**

Questa funzione serve qualora si abbia la necessità di modificare la temperatura di termostatazione del prodotto in vasca. Per l'inserimento di un nuovo valore di temperatura procedere come segue:

1. Verificare che la macchina sia connessa alla rete elettrica(led destro del pulsante ON/OFF acceso) e che la macchina sia in OFF (led sinistro del pulsante ON/OFF spento).

2. Premere contemporaneamente i pulsanti "ON/OFF" e "SET" , sul display compare il valore di temperatura di termostatazione.
3. Tenendo premuto il tasto "SET" premere a impulsi il tasto "ON/OFF" per impostare il nuovo valore di temperatura.
4. Raggiunto il valore desiderato rilasciare i tasti "SET" e "ON/OFF" per memorizzare il dato.
5. Accendere la macchina premendo il tasto "ON/OFF" (led sinistro acceso).

## 2.5 Visualizzazione degli allarmi

Se sul display appare questa dicitura significa "sonda guasta in cortocircuito".



Se sul display appare questa dicitura significa "sonda guasta scollegata".



In entrambi i casi è necessario chiedere l'intervento di un tecnico.

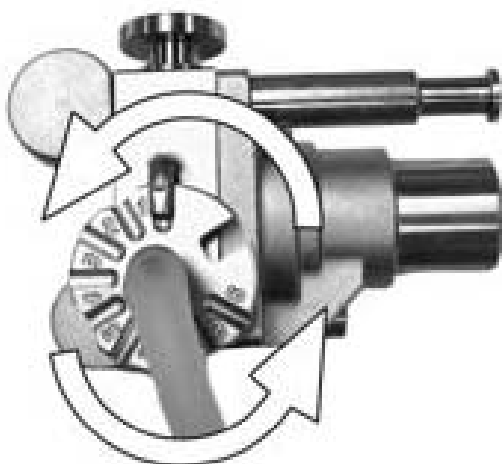


fig. 9

## 2.6 Regolazione del montapanna

C004-C007 sono in grado di montare panna fresca, panna vegetale e "ricostruita" con valori di grassi compresi fra il 26 e il 40%.

Per ottenere una panna ben montata è necessario agire sul "regolatore di panna", posizionato sul fianco del corpo pompa, e individuare quale fra le 9 posizioni disponibili sia la più idonea per la panna in quel momento utilizzata e al tipo di prodotto che si vuole ottenere con l'erogazione.

Ruotando il regolatore su valori bassi (1,2,...) otterrete un prodotto meno montato; ruotandolo verso valori più alti (...8,9) otterrete invece una panna più ricca di aria (fig.9).

 **SUGGERIMENTO** 

Solo agendo sul “regolatore di panna” è possibile ottenere la corretta miscela aria/liquido e quindi un’ottima panna montata.

 **ATTENZIONE** 



**fig. 10**

Per procedere ad una corretta regolazione è sempre preferibile partire dalla posizione n°1 e ruotare progressivamente il regolatore sulle altre posizioni fin quando non si ottiene il prodotto desiderato.

Panne differenti, per essere montate, richiedono la regolazione su posizioni differenti.

Alcune panne vegetali e in genere panne con alte percentuali di grassi possono non montare su posizioni alte del “regolatore di panna”.

AssicurateVi sempre che l’indicatore di posizione sia in corrispondenza di una tacca e mai a cavallo fra due (fig.10).

## 4. MANUTENZIONE



Durante la manutenzione non intervenire mai con le mani o con attrezzi senza essersi prima assicurati che la macchina sia in funzione di STOP, l'interruttore generale aperto e/o la spina multipolare di corrente scollegata.

Qualora si dovessero riscontrare anomalie nel funzionamento della macchina accertarsi che non siano dipendenti dalla mancata manutenzione ordinaria. In caso contrario chiedere l'intervento di un tecnico. In caso di sostituzione pezzi, richiedere esclusivamente ricambi ORIGINALI TAYLOR ad un concessionario o ad un rivenditore autorizzato.



fig. 11



fig. 12

### 3.1 Lavaggio e lubrificazione.

I grassi presenti nella panna sono il terreno ideale per la proliferazione delle cariche batteriche e delle muffe. Per eliminare questo inconveniente occorre lavare e pulire accuratamente tutti gli organi a contatto con il prodotto. I materiali inossidabili e/o plastici/alimentari usati sulle nostre macchine, conformi alle disposizioni internazionali più severe, agevolano il lavaggio ma non possono impedire la formazione di muffe, ecc. causate da insufficiente pulizia.

TAYLOR consiglia di pulire la vasca e la pompa almeno due volte la settimana e comunque conformemente alle norme igieniche in vigore nel paese ove la macchina è installata.

Ogni sera, terminata la vendita, qualora non si preveda di effettuare il lavaggio completo, è comunque consigliabile smontare rubinetto, canotto e tessurizzatore per lavarli e sanitarli.

Periodicamente togliere con l'estrattore gli O-rings e lavarli accuratamente.

Come effettuare una corretta pulizia del montapanna:

1. Disinserire la macchina e togliere la panna residua
2. Versare nella vasca estraibile una soluzione detergente. Quindi lasciare agire per qualche minuto.(fig.11)
3. E' possibile a questo punto, ma non necessario, effettuare un pre-lavaggio premendo il pulsante di erogazione per massimo 3-4 secondi (fig.12). Durante questo periodo sul display compare l'indicazione (--) e si illumina il led "CLEAN" fino al rilascio del pulsante di erogazione. Attenzione: per evitare l'usura della pompa lasciarla in funzione solo il tempo necessario alla pulizia.

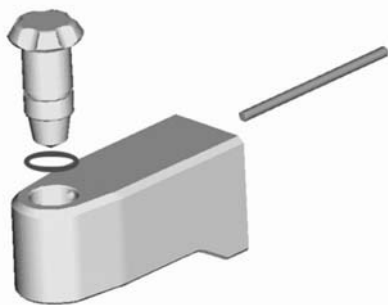


fig. 13

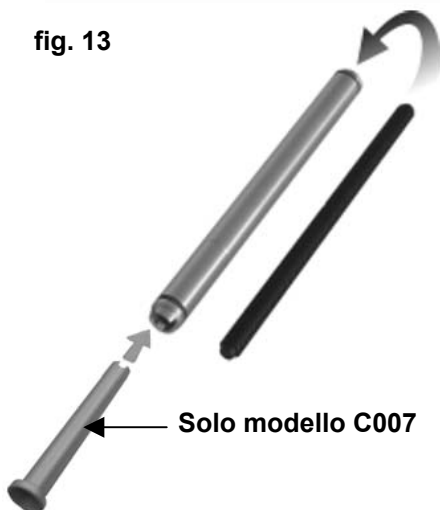


fig. 14

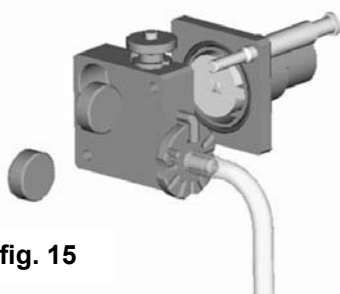


fig. 15

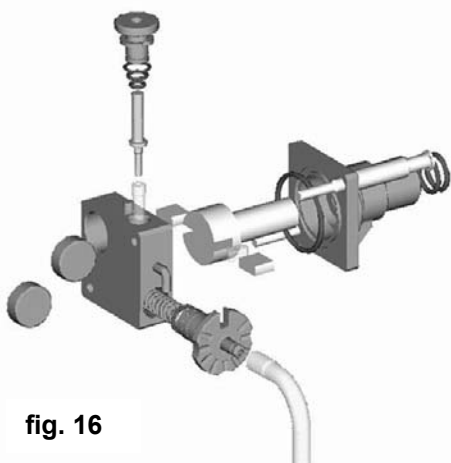


fig. 16

4. Togliere il rubinetto ruotandolo in senso antiorario: a) estrarre il rubinetto di erogazione e scomporlo nelle sue parti (fig. 13); b) togliere il canotto tirandolo verso l'esterno ed estrarre il tessurizzatore (fig.14); c) togliere la pompa ruotandola in senso orario ed estrarla dalla sua sede. Lavare accuratamente.
5. smontare la pompa procedendo come segue: a) svitare i due pomelli di fissaggio; b) togliere il coperchio (fig.15); c) estrarre il rotore con le due palette e le molle; d) estrarre l'otturatore e la valvola anti-ritorno in gomma; e) estrarre il "regolatore di panna" con la relativa molla e pescante. Lavare con una soluzione detergente e pulire il tubo di aspirazione con l'apposito scovolino; infine sanitzizzare (fig.16).
6. Per il rimontaggio della pompa procedere in senso inverso avendo premura di stendere sul rotore un lieve strato di lubrificante specifico.
7. Svuotare la vasca dal prodotto detergente, sciacquare abbondantemente con acqua e infine sanitzizzare. Per riprendere la produzione di panna montata occorre scaricare completamente la soluzione sanitzizzante.
8. Rimontare sulla macchina il gruppo rubinetto, canotto, tessurizzatore e pompa.
9. Premere nuovamente il tasto ON/OFF in modo che siano accesi entrambi i led luminosi



- Per preservare le parti in plastica e il rotore non utilizzare mai, durante il lavaggio, solventi e/o diluenti di alcun tipo.
- I prodotti chimici per la sanitzizzazione vanno impiegati nel rispetto delle norme in vigore e con la massima cautela.
- Dopo ogni operazione di sanitzizzazione è indispensabile non toccare più le parti sterilizzate né con le mani né con salviette, spugne o altro.
- Evitare di usare la pompa a secco.
- Evitare di usare per lungo tempo la pompa con sola acqua.



#### 4. RICERCA DEI GUASTI

INCONVENIENTE	PROBABILI CAUSE	RIMEDI
L'apparecchio non funziona e le spie sono spente	Mancanza di alimentazione elettrica	Verificare presenza di tensione in rete
	Interruttore automatico scattato o fusibili della rete bruciati	Chiamare il tecnico
La macchina è accesa ma la temperatura in vasca non scende	Macchina non abilitata	Premere il tasto generale ON/OFF fin quando non si accendono entrambe le spie.
	Gruppo frigorifero scarico di refrigerante	Chiamare il tecnico
Il prodotto in vasca gela	Temperatura di termostatazione errata	Aumentare la temperatura di termostatazione
Il prodotto in vasca è troppo caldo	Temperatura di termostatazione errata	Diminuire la temperatura di termostatazione
La panna esce liquida	Errata regolazione pompa	Ruotare il "regolatore panna" su tacche con numeri più alti
	Valvola di non ritorno incollata	Lavare l'otturatore e la valvola di non ritorno in gomma
	La qualità della panna non è adatta ad essere montata	Sostituire tipo di panna
La panna esce lentamente ed è troppo ricca di aria	Errata regolazione pompa	Ruotare il "regolatore panna" su tacche con numeri più bassi
	Tastatore non allineato con le tacche	Assicurarsi che il tastatore sia precisamente in corrispondenza con le tacche del regolatore panna
La pompa funziona ma non esce panna dal rubinetto	Possibile intasamento del tessurizzatore e dei fori del rubinetto	Lavare con acqua calda tessurizzatore e rubinetto.
	Presenza di ghiaccio nel tessurizzatore	Aumentare la temperatura di termostatazione

**5. APPENDICES / ANNEXES / APENDICES / APPENDICE**  
**Machine Specification / Caractéristiques techniques / Datos Tecnicos / Dati tecnici**

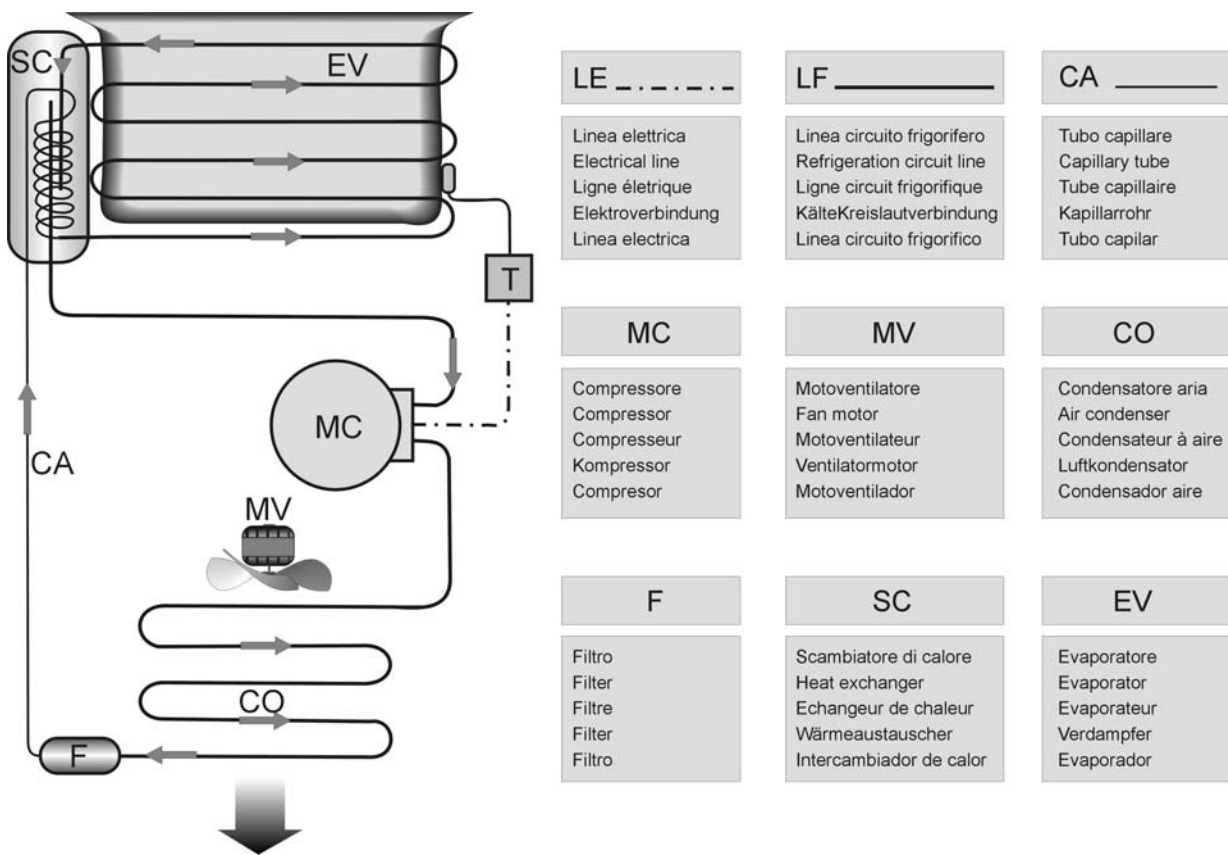
## C004

Size	Net weight	Tank capacity	Supply voltage	Gas
Dimensionnement	Poids net	Capacité du bac	Tension d'alimentation	Gas
Dimensión	Peso neto	Capacidad del tanque	Tension de alimentacion	Gas
Dimensioni	Peso netto	Capacità vasca	Tensione alimentazione	Gas
<b>230 x 560 h. 450 mm</b>	<b>25 kg</b>	<b>3 lt.</b>	<b>115/60/1</b>	<b>0.090 kg R 134 A</b>

## C007

Size	Net weight	Tank capacity	Supply voltage	Gas
Dimensionnement	Poids net	Capacité du bac	Tension d'alimentation	Gas
Dimensión	Peso neto	Capacidad del tanque	Tension de alimentacion	Gas
Dimensioni	Peso netto	Capacità vasca	Tensione alimentazione	Gas
<b>295 x 520 h. 520 mm</b>	<b>35 kg</b>	<b>6/9 lt.</b>	<b>115/60/1</b>	<b>0.090 kg R 134 A</b>

**5.1 Refrigerant circuit diagram / Schéma du circuit frigorifique / Esquema circuito frigorífico Schema circuito frigorifero**





---

---

---

---

---

---

---

---

---

---

---

---

---

---

---



**TAYLOR COMPANY, 750 North Blackhawk Boulevard, Rockton, IL 61072**

**Telephone: (815) 624-8333**

**Telex: 6871502 TAYLO**

**Fax: (815) 624-8000**

**[www.taylor-company.com](http://www.taylor-company.com)**

**2005 Taylor**

**All rights reserved**

**cod. M04.38093**